

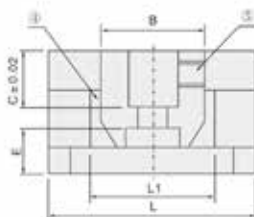
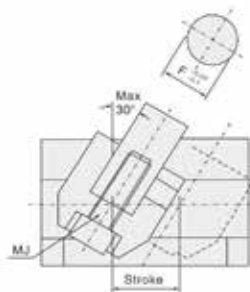
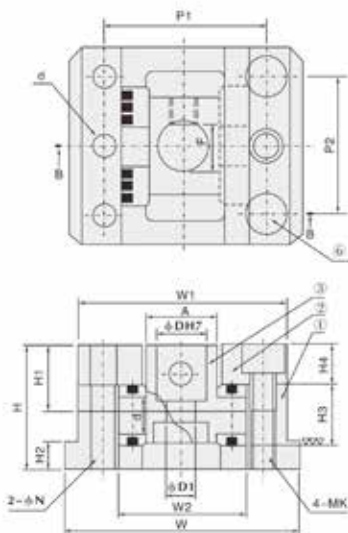
RESET EJECTION
SERIES
复位顶出系列



KOCUS


Table of components

Items	组成零件	Part name	Material	Quantity
1	滑动底座	Slide base	S45c	1
2	顶板	Upper plate	S45c	2
3	斜顶杆固定座	Inclined pin holder	S45c	1
4	滑板	Side plate	Bronze with graphite	2
5			Scm435	1
6	内六角螺栓	Socket head screws	Scm435	4



公制: mm

Type	D	d	D1	A	B	C	E	F	MJ	H	H1	H2	H3	H4	L	L1	W	W1	W2	P1	P2	MK	φN	Stroke
KOCUS-8	8	7	4.5	11	20	8	10	7	M4	22	12.5	5	11	7	32	20	33	30	19	24	20	M3	3	10
KOCUS-10	10	7	5.5	15		10	12.5	9	M5	27	15.5		15	8	45	25	45	40	25	32	30	M4	4	18
KOCUS-12	12	10	7	17	25	12		11	M6	32	18	7	16		50	30	57	51	31	39	35	M6	6	20
KOCUS-16	16	12	9	22	30	16	15	14.5	M8	36	20	8	20	10	65	40	65	58	38	46	40			M8
KOCUS-20	20	14	11	26	40	20	16	18	M10	42	23	11	22	12	80	50	80	72	44	56	55	M10	10	30
KOCUS-25	25	16		32	45	25		22.5		50	28		26		90	55	93	85	52	66	65			M10
KOCUS-30	30	18	14	38	50	30	17	27	M12	55	30		30	15	100	60	101	93	60	74	70	M12	10	40
KOCUS-35	35	20		45	60	35	18	32		62	35	15	34	18	120	75	120	110	70	85	80			M12
KOCUS-40	40	25	18	55	70	40	19	36		70	40		44		135	85	130	120	80	95	90	M12	10	50
KOCUS-45	45	30	18	60	80	45	24	40	M16	80	45		50	20	150	95	140	130	90	105	110			M12

斜顶座

SLIDE CORE UNITS

RCSUF

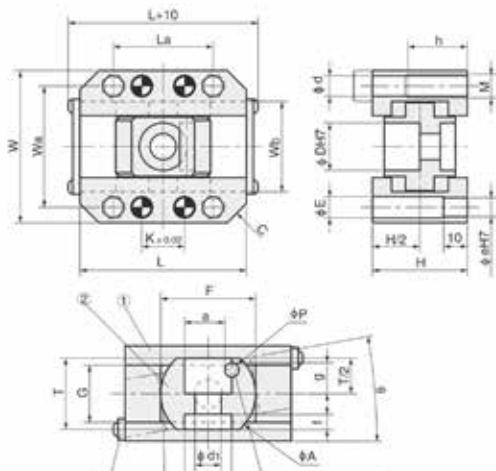


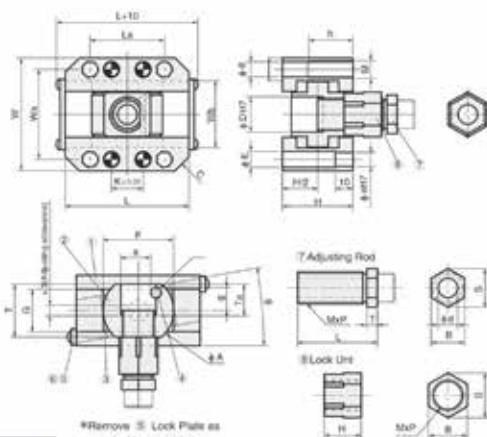
Table of components

Item	构成零件	Part name	Material	Quantity
1	滑动顶座	Slide Base	S45C	2
2	斜顶杆固定座	Inclined Pin Holder	S45C	1
3	滑板	Slide Plate	Bronze with Graphite	2
4	平行键	Key	S45C	1
5	顶板	Stopper	S45C	2
6	圆头螺丝	Round Head Screw	SCM435	4

Type	D	θ°	W	Wa	L	K	La	Wb	C	d	M	h	e	E	H
RCSUF	10	0°~5°	45	36	50	16	30	26	3	3.5	M5	14	5	6	28
	12		51	40	60	20	40	29	4	6.6	M8	20	6	6.6	35
	16	0°~20°	54	44	65	18	38	33	8	6.6	M10	25	8	9	40
	20		64	51	70		42	38		8.6					
	25		70	58	80	20	45	45	10	8.6					
	30		78	64	100	40	70	51	8.6						
	35		92	75	115	50	85	58	8	10.6					
	40		100	82	125	50	85	66	8	10.6					

H Dimension (11° ≤ θ ≤ 20°)

D	T	G	F	A	p	a	g	d1	d2	f	D	11°~15°	16°~20°
10	16	17	28	20	3	8.5	6.5	6	10	3	10	-	-
12	20	20	36	25	4	10	8	7	12	5	12	-	-
16	24										40	30	6
20	30	40	40	8	17	13	11	20	7	20			
25	35	26	45		45	6	22	14	14	25	9	25	52
30	38	30	55	50	8	27	15	10				30	62
35	40	34	70	55	8	31			18	32	11.5	35	70
40	43	38		60	36	16	18	32				11.5	40

RCSUM

Table of components

Item	构成零件	Part name	Material	Quantity
1	滑动底座	Slide Base	S45C	2
2	斜顶杆固定座	Inclined Pin Holder	S45C	1
3	滑板	Slide Plate	Bronze with Graphite	2
4	平行键	Key	S45C	1
5	挡板	Stopper	S45C	2
6	圆头螺丝	Round Head Screws	SCM435	4
7	调整螺母	Adjust Rod	S45C	1
8	锁紧螺母	Lock Nut	S45C	1

*Remove ⑧ Lock Plate as required for operation.

Type	D	θ°	W	Wa	L	K	La	Wb	C	d	M	h	e	E	H	T	G	F	A	p	a	g	Ta
RCSUM	16	$0^\circ \sim 10^\circ$	54	44	65	18	38	33	8	6.6	M 8	20	6	6.6	35	24	20		30	6	13	10	15
	20		64	51	70	18	42	38		10	8.5	M10	25	8	9	44	35	26	45		45	17	13
	25		70	58	80	20	45	45	10	8	10.6	M12	30	10	11	60	40	34	70	8	22	14	20.5
	30		78	64	100	40	70	51	15												27	22	
	35		92	75	115	50	85	58	15												31	23	
40	100	82	125		85	66		36	16	24.5													

 H Dimension ($11^\circ \leq \theta \leq 20^\circ$)

D	$11^\circ \sim 15^\circ$	$16^\circ \sim 20^\circ$
16	41	48
20	47	55
25	52	61
30	62	72
35	70	82
40	78	90

M x P	⑦ Adjusting Rod					⑧ Lock Unit		
	L	T	d	S	B	H	S	B
M14 x 1.5	42(50)	6	9	16.2	14	21(28)	19.6	17
			11	21.9	19	21(29)	25.4	22
M22 x 1.5	49(59)	7	13	25.4	22	21.5(30.5)	31.2	27
			17	31.2	27	25(35)	37	32
M27 x 1.5	54(64)	7	17	37	32	28(38)	41.6	36
			17	43.9	38	29(39)	47.3	41

斜顶座

SLIDE CORE UNITS

KOCUF

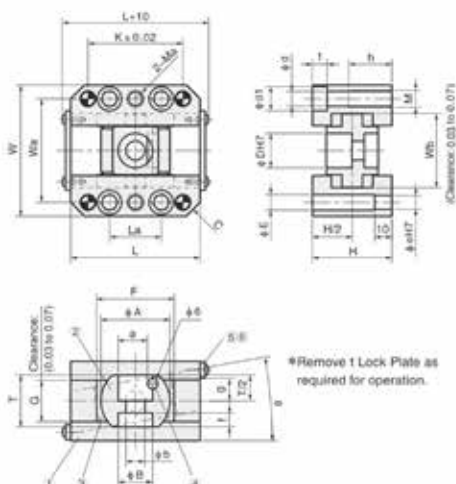


Table of components

Item	构成零件	Part name	Material	Quantity
1	滑动顶座	Slide Base	S45C	2
2	斜顶杆固定座	Inclined Pin Holder	S45C	1
3	滑板	Slide Plate	Bronze with Graphite	2
4	平行键	Key	S45C	1
5	挡板	Stopper	S45C	2
6	圆头螺丝	Round Head Screw	SCM435	4

Type	D	W	Wa	L	La	K	Ma	C	H	e	E	d	d1	t
KOCUF	8	41	33	44	12	25	M4	3	24	4	5	3.4	6	3.4
	10	47	38	50	16	30	M5		28	5	5.5	4.5	8	5
	12	53	42	60	20	40	M8		4	36	6	7	6.6	11
	16	64	50	70	25	50		6	40	6.6		11		6.5
	20	76	60	75	30	55	M10	8	46	8	9	8.6	14	8.5
	25	81	65	85	40	65			48					
	30	88	72	100	50	80			54					
	35	100	80	115		M12	60	10	11	11	18	6.5		
	40	108	88	125		M12	65	10	7					

D	h	M	Wb	A	a	B	b	g	F	f	G	T	指定斜度	
8	10	M4	24	20	7.5	10	5	6.5	25	5	13	16	1-5°	
10	15	M5	28		8.5	12	6		32	4	17		-	
12	20	M8	31	25	10	13	7	8.5	40	5	20	20	-	
16		M8	36	30	13	16	9	10	45	6	24	24	1-5°	
20	25	M10	43	40	17	20	11	13		8	30	30	30	-
25			48	45	22	25	14	15	14	50	9.5	26	35	-
30			55	50	27				60	9	30	38	38	1-5°
35	30	M12	64	55	31	25	16	16	70	10	34	40	-	
40			72	60	36	32			18	80	11.5	38	43	1-5°

KOCUM

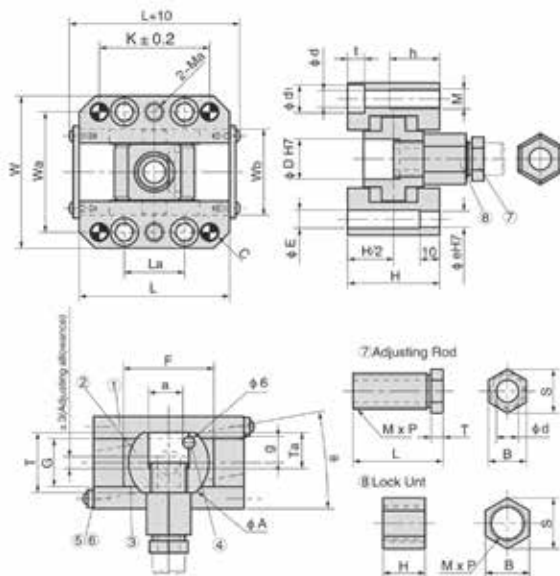


Table of components

Item	構成零件	Part name	Material	Quantity
1	滑動底座	Slide Base	S45C	2
2	斜頂桿固定座	Inclined Pin Holder	S45C	1
3	滑板	Slide Plate	Bronze with Graphite	2
4	平行鍵	Key	S45C	1
5	擋板	Stopper	S45C	2
6	圓頭螺絲	Round Head Screw	SCM435	4
7	調整螺母	Adjust Rod	S45C	1
8	鎖緊螺母	Lock Nut	S45C	1

Type	D	φ ¹	W	Wa	L	La	K	Ma	Wb	C	d	H	e	E	d1	t	h
KOCUM	16	0°~10°	64	50	70	25	50	M8	36	6	6.6	40	6	6.6	11	6.5	20
	20		76	60	75	30	55	M10	43	8	8.6	46	8	9	14	8.5	25
	25		81	65	85	40	65		48		54						
	30		88	72	100	50	80	55	60		65	11					
	35		100	80	115		85	M12	64	72							
	40		108	88	125												

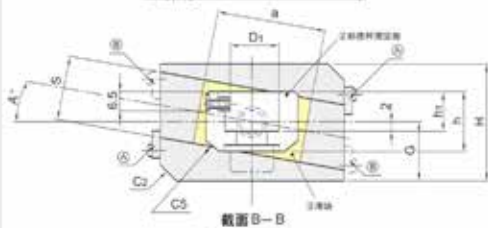
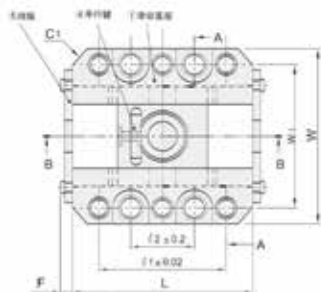
M	A	a	g	F	G	T	Ta		
M8	30	13	10	45	24	24	15		
	40	17	13			30	18		
M10	45	22	14	50	26	35	20.5		
	50	27	15			60	30	38	22
	55	31				70	34	40	23
M12	60	36	16	80	38	43	24.5		

M x P	7 Adjusting Rod				8 Lock Nut			
	L	T	d	S	B	H	S	B
M14 x 1.5	42	6	9	16.2	14	21	19.6	17
M18 x 1.5	45		11	21.9	19		25.4	22
M22 x 1.5	49	7	25.4		22	21.5	21.2	27
M27 x 1.5	55		13	31.2	27	26	37.0	32
M30 x 1.5	58		37	32	28	41.6	36	
M36 x 1.5	60.5		17	43.9	38	29	47.4	41

斜顶座

SLIDE CORE UNITS

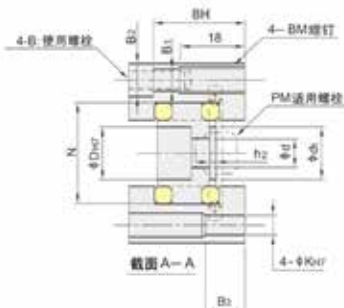
SCZN



- ① ② 表示停止板安装位置，请参考A°角度
- ③ 可根据成形产品的凹凸形状来选择滑板的安装角度

Table of components

Item	构成零件	Part name	Material	Quantity
1	滑动底座	Slide base	S45C	2
2	斜推杆固定座	inclined on holder	S45C	1
3	滑板	Slide plate	Bronze with Graphite	2
4	平行键	Key	S45C	1
5	停止板	Stopper	S45C	2



④ 选用斜推杆 安装尺寸范围

④	D1	B	PM
12	11	13	M6
16	15	14	M8
20	18	16	M10
25	22	18	M10
30	27	20	M10

特性:

- 将包含有下旋切削之楔仁(斜楔)倾斜压出时,可以让斜推杆原样移动的无给油滑块组件。
- 斜推杆固定座在 θ 范围内移动,藉由自动调心的功能减少导轨和滑板的磨损、耗损。

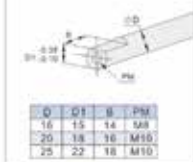
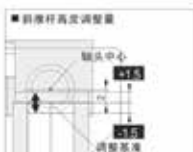
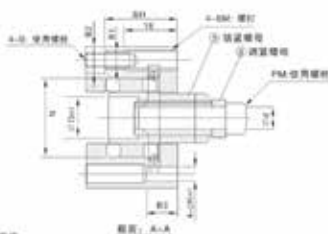
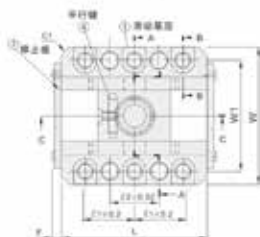
编号	滑板安装角度		上滑板底座				斜推杆固定座				滑板		TH	G	F					
Type	D	A°	W	L	H	C1	C2	D1	d	h	h1	h2	h3	N	S	a				
SCZN	12	0	56	55	35	5	-	11	5.5	18	-	-	-	10	30	35	58.5	17.5	4.65	
	16		60	65	36	-	-	15	9	18	-	-	36	11	33	20	40	59		18
	20		68	70	43	-	-	18	22	22	-	-	-	13	38	24	65.5	21.5		
	25		75	80	45	6	5	22	11	26	6	6	39	15	45	26	45	69.5		22.5
	30		81	95	54	-	-	27.5	-	30	-	-	41	17	55	30	55	76		27
	35		98	110	60	-	-	32.5	-	36	-	-	50	20	60	34	70	88		30
	40		105	120	64	-	-	37.5	13	40	-	-	52	22	67	38	80	92		32

编号	安装孔尺寸										斜推杆安装尺寸			停止板安装位置	
Type	D	I1	I2	W1	B1	B2	B3	B	BM	BH	K	h4	PM	⑤	⑥
SCZN	12	42	21	45	-	-	-	-	-	28.5	-	13	M5	0°1'3'5"	-
	16	46	25	48	6.6	11	15	M6	M8	29.5	6	14	M8		
	20	50	-	55	-	-	-	-	-	34.5	-	16	-		
	25	60	35	62	8.6	13.5	-	M8	M10	36.5	8	18	M10		
	30	75	50	68	-	-	20	-	-	45.5	-	20	-		
	35	85	-	81	10.6	16.5	-	M10	M12	49.5	10	25	M12		
	40	95	60	88	-	-	-	-	-	53.5	-	-	-		

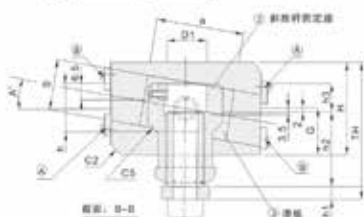
SCZA


Table of components

Item	构成零件	Part name	Material	Quantity
1	滑动底座	Slide Base	S50C	2
2	斜顶杆固定座	Inclined Pin Holder	SCM440	1
3	滑板	Slide Plate	Bronze with Graphite	2
4	平行键	Key	S45C	1
5	锁紧螺母	Lock Nut	S45C	1
6	调整螺母	Adjust Nut	S45C	1
7	停止板	Stopper	SS400	2



D	G1	B	PM
16	15	14	M8
20	18	16	M10
25	22	18	M10


特性:

- 有自行准线校正功能，凹斜制钢组件的配置，配合著具旋转型的斜顶做各不同凹斜角度的校对。
- 有滑面增进其耐磨性，使用无给油在滑板中，具防磨及防粘性。
- 有系列的坚固性，水平角度回转，斜顶全长不需调整，全系列具其坚固性。

- ① ②表示停止板安装位置，请参考A°角度
- ③可根据成形产品的凹凸形状来选择滑板的安装角度

单位: mm

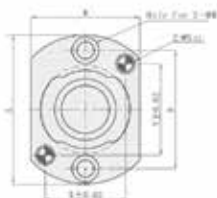
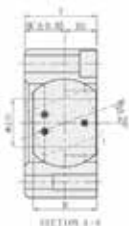
编号	滑板安装角度	1 滑板底座				2 斜顶杆固定座										3 滑板			TH	G	F					
		W	L	H	C1	C2	D1	d	h	h1	h2	h3	N	S	a											
SCZA	12	56	55	35	5	-	11	5.5	16									33	10	30	20	35	58.5	17.5	4.65	
	16	60	65	36			-	15	9	18									11	33		40	59	18		
	20	68	70	43				18		22									36	13	38	24	65.5	21.5		
	25	75	80	45				22	11	26									39	15	45	26	45	69.5		22.5
	30	81	95	54	6	5		27.5		30									41	17	55	30	55	76		27
	35	98	110	60				32.5		36									50	20	60	34	70	88		30
	40	105	120	64				37.5	13	40									52	22	67	38	80	92		32

编号	安装孔尺寸										5 锁紧螺母		6 调整螺母		斜顶杆安装尺寸		停止板安装位置			
	D	t1	t2	W1	B1	B2	B3	B	BM	BH	K	S1	e1	S2	e2	h4	PM	(A)	(B)	
SCZA	12	42	21	45																
	16	46		48	6.6	11	15		M6	M8	28.5	6	17	19.6	12	13.9	M5	0°1' 3' 5"	-	
	20	50	25	55							29.5		21	24.2	16	18.5	M8	-	-	
	25	60	35	62	8.6	13.5			M8	M10	34.5							16	5°	0°1'
	30	75	50	68			20				45.5	8	24	27.7	19	21.9	M10	0°1' 3' 5"	-	
	35	85		81	10.6	16.5			M10	M12	49.5	10	27	31.2	21	24.2	M12	-	-	
	40	95	60	88							53.5							23	-	-

斜顶座

SLIDE CORE UNITS

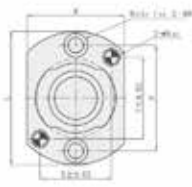
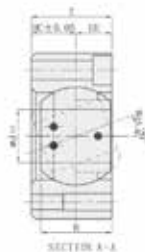
MTGL / MTGR


Table of components

Item	构成零件	Part name	Material
1	内芯材料	Inner shell	Copper alloy ofless type
2	外部材料	Outer shell	S45C

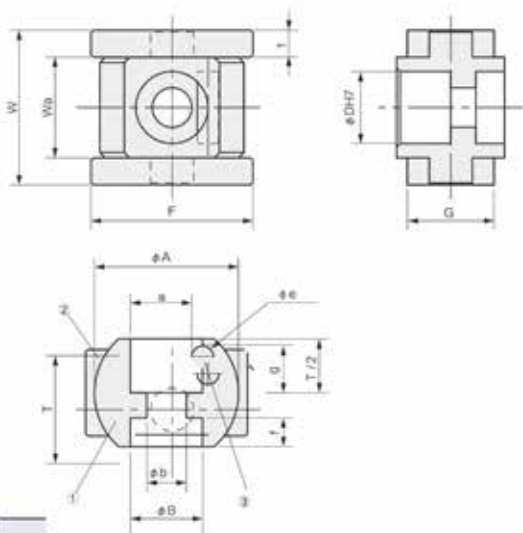
Type	d	L	W	T	HC	HJ	B	Mounting hole		Dowel pin hole			Hexagon socket bolt	Dowel pin		
								MM	P	N	X	Y				
MTGL MTGR	8	44	28	17	9	8	14	M5	32	5	20	28	M5 × 20	φ5 × 20		
	10	46	30	20	11	9	16						34		22	M5 × 25
	12	50	32	22	12	10	18						36		30	M6 × 25
	16	58	45	29	16	13	25	M6	45	6	30	35	M6 × 35	φ6 × 25		
	20	65	50	33	18	15	28						52		40	M6 × 40
	25	78	57	38	21	17	33	M8	62	8	40	50	M5 × 45	φ8 × 30		
30	86	65	43	24	19	37	70						48		55	M5 × 50

MTGHL / MTGHR


Table of components

Item	构成零件	Part name	Material
1	内芯材料	Inner shell	Copper alloy ofless type
2	外部材料	Outer shell	S45C

Type	d	L	W	T	HC	HJ	B	Mounting hole		Dowel pin hole			Hexagon socket bolt	Dowel pin		
								MM	P	N	X	Y				
MTGHL MTGHR	25	85	57	42	21	33	M10	64	8	42	50	M10 × 45	φ8 × 30			
	30	94	65	48	24	37						72		48	55	M10 × 55
	35	98	72	54	27	40						78		52	60	M10 × 60
	40	106	77	58	29	44						84		55	65	M10 × 65
	50	124	88	66	33	48	M12	102	10	65	78	M12 × 65	φ10 × 40			

KPHF / RCPHF

Table of components

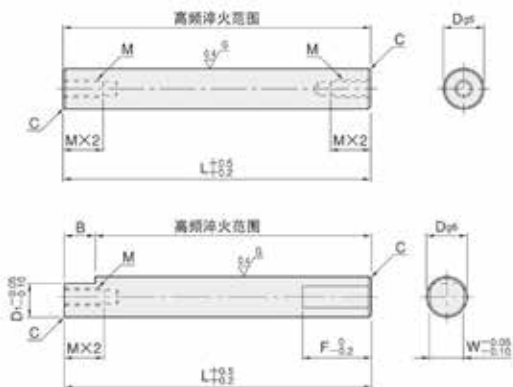
Item	构成零件	Part name	Material
1	斜顶杆固定座	inclined pin holder	S45C
2	滑板	Slide plate	Bronze with Graphite
3	平行键	Key	S45C

Type	D	W	Wa	F	t	G	A	a	T	g	f	B	b	e
KPHF	8	24	12	25	6	13	20	7.5	16	6.5	5	10	5	3
	10	28	14	32	7	17	20	8.5	16	6.5	4	12	6	
	12	31	17	40	45	24	25	10	20	8.5	5	13	7	4
	16	36	21	30			13	24	10	6	16	9		
	20	43	28	50	7.5	26	40	17	30	13	8	20	11	6
	25	48	33				35	14	9.5	25	14			
	30	55	38	60	8.5	30	50	27	38			15	9	8
	35	64	44	70	10	34	55	31	40	10				
40	72	50	80	11	38	60	36	43	16	11.5	32	18		

Type	D	W	Wa	F	t	G	A	a	T	g	e	b	B	f
RCPHF	10	26	14	28	6	20	20	8.5	16	6.5	3	6	10	3
	12	29	17	36			25	10	20	8	4	7	12	5
	16	33	20	40	6.5	24	30	13	24	10	6	9	16	6
	20	38	25				40	17	30	13		11	20	7
	25	45	30	45	7.5	26	45	22	35	14	8	14	25	9.5
	30	51	36	55			30	50	27	38				15
	35	58	42	70	8	34	55	31	40	16	8	18	32	10
	40	66	48				9	38	60					36

斜导杆 HINGE PINS

HP



材质	硬度	表面处理
SUJ2	58HRC~	高频淬火

更多顶杆产品, 请提供图纸定制
For more hinge pin, please provide drawings for customization

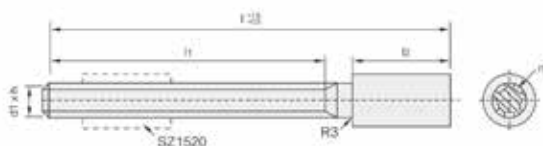
Type	D	D ₂₅	L	M	C
	HP	12	-0.006	100-800	M5
16		-0.017	M8		
20		-0.037 -0.020	M10		1.0
25			M12		
30					
35					
40	-0.039 -0.025				

接受各种规格的斜顶杆定制

All kinds of specifications can be customized



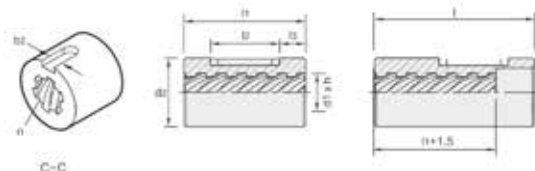
SZ1500



M 材质	H 硬度
718	HV500-1100 表面氧化

Type	n	dr	ds	l	d1 x h	Ø	b	Nr.NO
SZ1500L SZ1500R	5	50	28	240	Tr 16x50	L (R)	160	Z150016x50L(R)P150
				220			220	
				240			Tr 16x63	160
	220	220						
	6	60	36	240	Tr 20x63		220	Z150020x63L(R)P250
				240			220	
				240			Tr 20x80	220
	7	80	45	410	Tr 20x100		220	Z150020x100L(R)P250
				340			220	
				340			Tr 20x125	220
	8	100	56	410	Tr 25x80		220	Z150025x80L(R)P315
				430			220	
				430			Tr 25x100	220
	9	120	68	430	Tr 25x125		220	Z150025x125L(R)P315
				430			220	
				430			Tr 25x160	220
	10	140	80	430	Tr 32x100		220	Z150032x100L(R)P355
				430			220	
				430			Tr 32x125	220
	11	160	92	430	Tr 32x160		220	Z150032x160L(R)P355
				430			220	
				430			Tr 32x200	220

SZ1520



M 材质
铝青铜 Aluminum bronze

Type	n	l	dr	ds	dr	d1 x h	Ø	Fr	l	Nr.NO	
SZ1520L SZ1520R	5	2.8	6	11	28	Tr 16x50	L (R)	50	125	Z152016x50L(R)P250	
				15				40	80		
				11				28	50	Z152016x63L(R)P250	
	6	3.8	8	15	36	Tr 20x63		50	80	80	
				13.5				36	63	Z152020x63L(R)P250	
				18				50	63	100	
	7	4.8	12	13.5	45	Tr 20x80		63	100	100	Z152020x80L(R)P250
				18				50	63	100	
				13.5				36	63	Z152020x100L(R)P250	
	8	5.8	16	18	56	Tr 20x100		63	100	100	
				15				50	80	Z152020x100L(R)P250	
				20				63	80	125	
	9	6.8	20	15	68	Tr 25x80		80	125	125	Z152025x80L(R)P250
				20				63	80	125	
				15				50	80	Z152025x100L(R)P250	
	10	7.8	24	20	80	Tr 25x100		80	125	125	
				15				50	80	125	
				20				63	80	125	
	11	8.8	28	15	92	Tr 25x125		80	125	125	Z152025x125L(R)P250
				20				63	80	125	
				15				50	80	125	
	12	9.8	32	18.5	100	Tr 32x100		100	160	160	Z152032x100L(R)P150
				25				80	100	160	
				18.5				63	100	160	
	13	10.8	36	25	110	Tr 32x125		100	160	160	Z152032x125L(R)P150
				25				80	100	160	
				18.5				63	100	160	
	14	11.8	40	25	120	Tr 32x160		100	160	160	Z152032x160L(R)P150
				25				80	100	160	
				18.5				63	100	160	
	15	12.8	44	25	130	Tr 32x200		100	160	160	Z152032x200L(R)P150
				25				80	100	160	
				18.5				63	100	160	

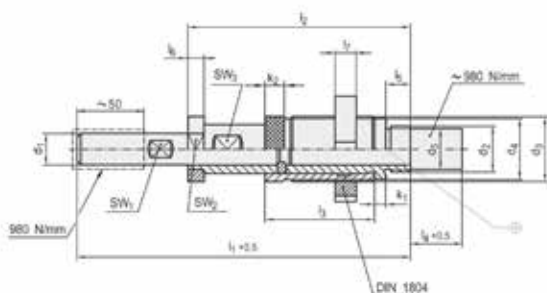
二次顶出 TWO-STAGE EJECTORS

SZ169



方便安装加工机械互锁设计, 安全可靠, 安装行程计算需精确, 否则产品易损坏, 请根据模具重量要求选择合适规格。

It is convenient for installing processing machinery interlocking design so that it is safe and reliable. The installation stroke needs to be calculated accurately. Otherwise, the product is likely to be damaged. Select appropriate specification according to load requirement of the die.



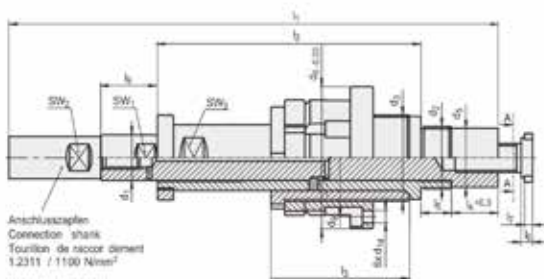
Type	Sw ₁	Sw ₂	Sw ₃	k ₁	k ₂	d ₁	d ₂	d ₃	l ₁	l ₂	l ₃	l ₄	l ₅	l ₆	l ₇	l ₈	l ₉	d ₁₀	d ₁₁	H ₁		H ₂		d
																				min.	max.	min.	max.	
SZ169/16	20	28	13	8	5	30	20	11	9	11	26	56	112	164	M22 × 1	M32 × 1.5	5	30	3	50	16			
SZ169/22	27	38	17	10	6	40	28	12	16	36	75	148	220	M30 × 1.5	M42 × 1.5	6	40				4	70		22
SZ169/30	38	55	24		7	50	38	13	11	21	80	170	255	M40 × 1.5	M60 × 1.5	7	50							30
SZ169/40	46	65	32	14	8	65	50	14	12	22	45	98	200	270	M52 × 1.5	M70 × 1.5	7.5	60	5	80	40			

SZ1691



方便安装加工机械互锁设计, 安全可靠, 安装行程计算需精确, 否则产品易损坏, 请根据模具重量要求选择合适规格。

It is convenient for installing processing machinery interlocking design so that it is safe and reliable. The installation stroke needs to be calculated accurately. Otherwise, the product is likely to be damaged. Select appropriate specification according to load requirement of the die.

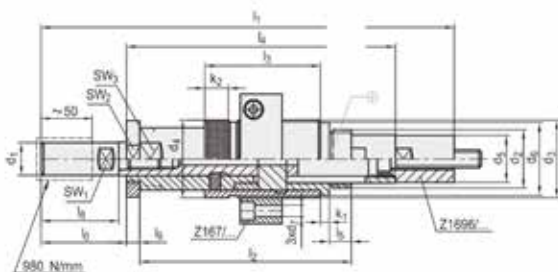


Type	Sw ₁	Sw ₂	Sw ₃	d ₁	d ₂	d ₃	d ₄	d ₅	d ₆	d ₇	d ₈	d ₉	d ₁₀	d ₁₁	d ₁₂	d ₁₃	d ₁₄	d ₁₅	d ₁₆	d ₁₇	d ₁₈	d ₁₉	d ₂₀	H ₁	H ₂	d		
																											SZ1691/13	10
SZ1691/17	13	12	21	M24 × 1.5	M35 × 1.25	22	60	48	M11 × 1	17.4	22	5.4	4	228	110	63									4-30	65	17	
SZ1691/22	17	17	27	M30 × 1.5	M45 × 1.5	28	75	61	M14 × 1	21	27	6.5	5	270	131	74	17								6-42	80	22	
SZ1691/30	24	22	36	M40 × 1.5	M60 × 1.5	38	100	82	M18 × 1	26	33	8.8	6	340	166	89	27								7-5	38	10-60	95
SZ1691/40	32	32	46	M55 × 1.5	M75 × 1.5	52	125	104	M25 × 1.5	35	43	11	8	470	232	122	41								7	50	14-85	130
SZ1691/52	41	41	65	M72 × 1.5	M98 × 2	69	150	128	M34 × 1.5	48	58	11	9	583	295	155	51								11	60	18-110	180

SZ1695

方便安装加工机械互锁设计, 安全可靠。安装行程计算请精确, 否则产品
易损坏。请根据模具需求要求选择合适的规格。

It is convenient for installing processing machinery interlocking design so that it is safe and
reliable. The installation stroke needs to be calculated accurately. Otherwise, the product is
likely to be damaged. Select appropriate specification according to load requirement of the die.

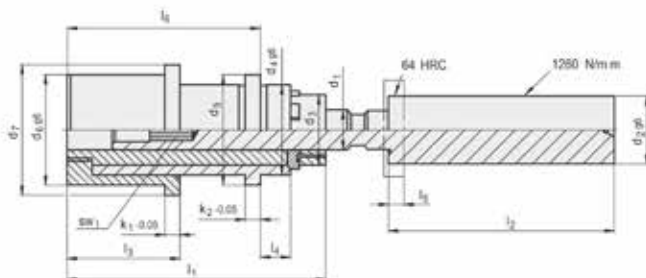


Type	k_1	k_2	Sw ₁	Sw ₂	Sw ₃	l_1	l_2	l_3	l_4	l_5	l_6	l_7	l_8	l_9	H_1		H_2		d_1	d_2	d_3	d_4	d_5	d_6	d_7	
															min.	max.	min.	max.								
SZ1695/22	18	6	36	46	17	10	52	58	17	175	82	141	278	6	48	4	36	9	50	31.5	52	M52 × 1.5	M40 × 1.5	22		
SZ1695/25	7	41	55	19			60	66		207	89	163	329	8	60	5	50		56	36	60	M60 × 1.5	M45 × 1.5	25		
SZ1695/32	16	8	50	65	27	12	82	102	22	257	106	196	430	10	86	6	60	11	70	44	72	M72 × 1.5	M55 × 1.5	32		

SZ1697

机械互锁设计, 相比其它二次顶出系列, 结构更简单, 安装更方便。

Machinery interlocking design makes structure much simpler and installation
more convenient comparing with other second ejection series.

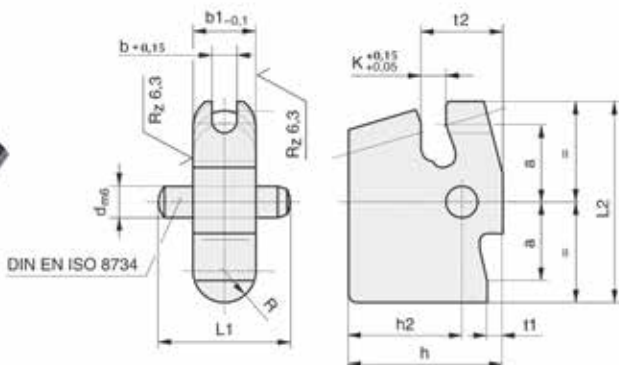


Type	Sw ₁	k_1	k_2	l_1	l_2	l_3	l_4	l_5	l_6	l_7	d_1	d_2	d_3	d_4	d_5	d_6	H_1		H_2		d_7	
																	min.	max.	min.	max.		
SZ1697/16	8	6	6	77	5	12	45	90	103	52	44	44	36	28	27	6	76	3	76	16		
SZ1697/20	10	7	7	101	6	17	59	100	134	59	51	51	43	34	32	8	96	4	96	20		
SZ1697/26	14	8	8	126	7	22	74	150	168	73	64	63	54	43	42	10	130	5	130	26		

模板加速顶出器

PLATE ACCELERATOR

SZ141

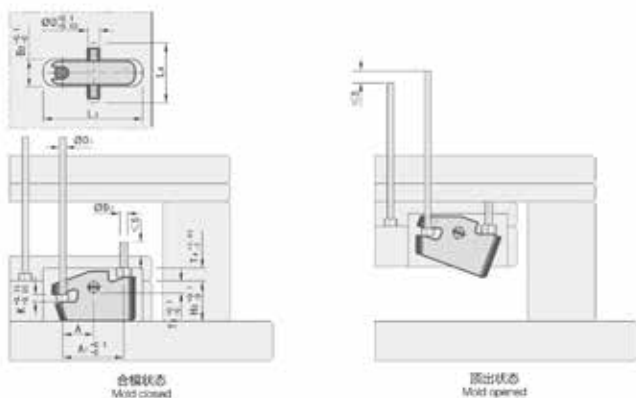


Type	d1	b	b1	b2	b3	a	a1	d	d2	h	k	h2	h3	L1	L2	L3	L4	t1	t2	t3	t4	R	S
SZ141	3	3	8	8.5	4	10	20	4	4	19	3	14	16	16	26	31	23	2	10	4	4	4	2.5
	6	6	16	16.5	8	21	42	8	8	34	5	23	27	36	56	63	45	4	21	8	8	8	7.6
	8	8																					

产品特点 Precautions

- 可安装一只顶针，顶出过程中能够相对增加额外顶出行程。
- 安装空间小，节约成本。
- Mount 1pcs ejector pin can enlarge the stroke during ejecting.
- save space and cost.

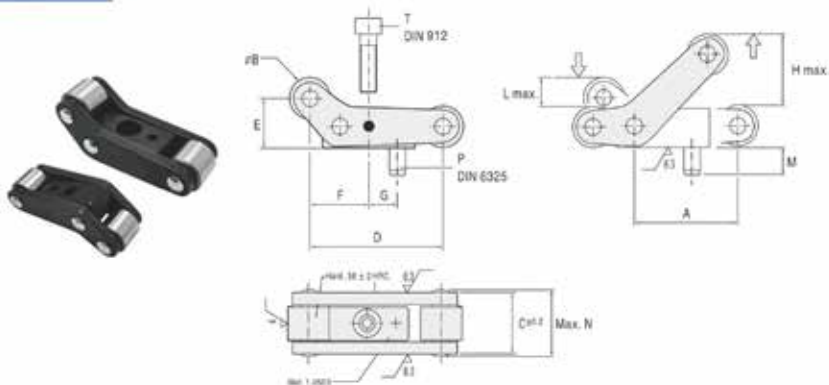
功能示意图 Functional chart



模板加速顶出器

PLATE ACCELERATOR

SEP



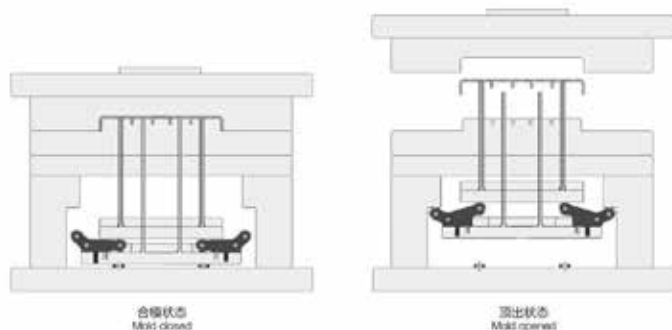
- 简单装配便能达到良好的加速效果。 ● Simple assembly will be able to achieve a good speedup.
- 安装空间小，优化模具结构。 ● Small installation space, optimization of mold structure.

Type	A	B	C	D	E	F	G	H max.	L max.	M	N	P	T	Max. Force
SEP.200813	20	8	13.2	25.8	9.4	11.4	6	13.6	5.5	5	15	±2.5x10	M3x12	125kg.
SEP.251016	25	10	16	32.3	11.8	14.3	7	17	6.8	6	18.5	±3x12	M4x16	250kg.
SEP.371522	37.5	15	22	48.5	17.7	21.5	10.5	25.5	10.2	8	25	±4x16	M6x25	350kg.
SEP.502030	50	20	30	64.6	23.6	28.6	14	34	13.6	10	34	±5x20	M8x30	800kg.

■ 产品特点 Precautions

- 安装空间小，简单的安装可以实现加速顶出的效果。
- 安装于顶针B板上，顶出过程中实现顶针A板加速顶出效果。
- 每套模具至少使用2套或者以上。
- Installation space is small, simple installation can achieve the effect of accelerated ejection.
- Installed on Ejector B Plate, Accelerate Ejection of Ejector A Plate in Ejection Process.
- At least 2 sets or more of this product are used for each set of each mold.

■ 功能示意图 Functional chart



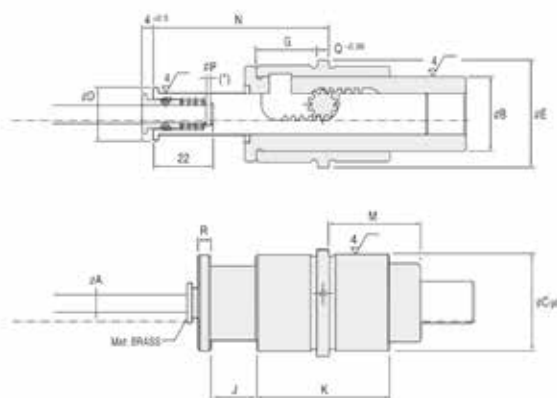
合模状态
Mold closed

顶出状态
Mold opened

模板加速顶出器

PLATE ACCELERATOR

SAE

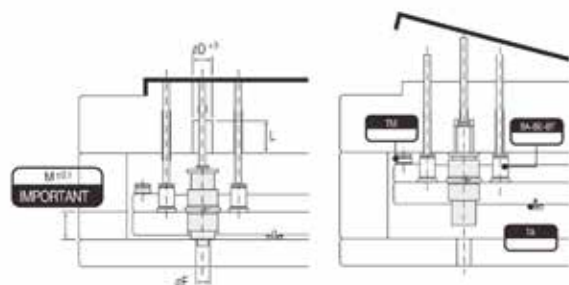


Type	A	B	C	D	E	F	G	J	K	L	M	N	P	Q	R
SAE.031620	3	16	20	12.5	22	13	14	8	32	22	17	37	-	4	3
SAE.D41620	4	16		16	34	16	20	15	44	36	27	57	-		
SAE.052430	5	24	30	17	40	17	28	20	62	46	27	78	2	6	4
SAE.062430	6	24		17		34					27				
SAE.082430	8	24	36	21.5	40	21	28	20	62	46	34	78	2	6	4
SAE.103036	10	30									34				
SAE.123036	12	30	36	21.5	40	21	28	20	62	46	34	78	2	6	4

产品特点 Precautions

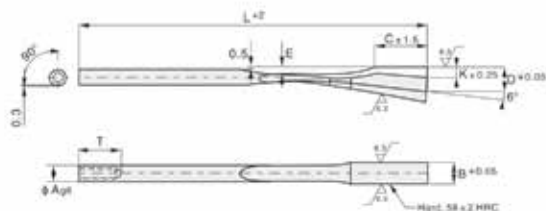
- 可夹持固定一枚顶针，能增加相对行程的额外8mm或15mm的二次顶出。帮助塑胶件脱落。
- 头部有一小孔，可内镶一枚固定针，防止顶针转动。
- 安装空间较小，节约成本。
- 只需做简单的垂直孔位加工便能简易装配，优化模具结构。
- Enables 8mm or 15mm, additional stroke on one ejector pin.
- Only round pockets needed to install the part.
- Save space and cost.
- Enables quick replacement of the ejector.

功能示意图 Functional chart



弹弓顶针 SPRUNG CORE

SPW



M	材质	H	硬度
1.8159		45 ± 3HRC	
SKD61		50 ± 2HRC	

Type	φA	B	C	D	E	K	L	T
SPW.060622	6	6.2	22	9	3.5	4	125	M4 × 15
SPW.060822		8.2						
SPW.080825	8	10.2	25	11.5	4.5	5	140	M5 × 20
SPW.081025		12.2						
SPW.081225		14.2						
SPW.101430	10	14.2	30	13.6	5.5	5.8	175	M6 × 25
SPW.101630		16.2						
SPW.101830		18.2						

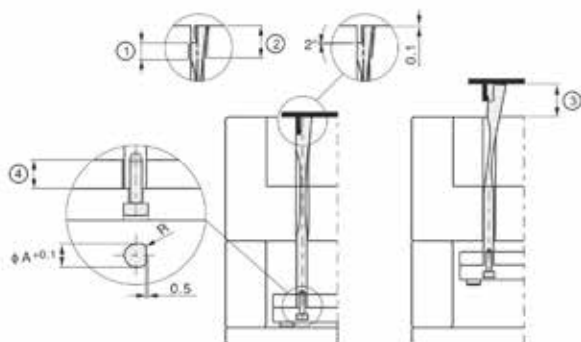
产品特点 Precautions

- 结构简单, 安装空间更小, 如同一直顶针大小。
- 安装方便, 简化加工工序, 节约成本。
- 可以单独使用, 也可以两支配合使用。
- Simple structure, small installation space, only same as ejector pin size.
- easy to install, simplify processing procedure and save cost.
- Can use it lonely or two pcs use together.

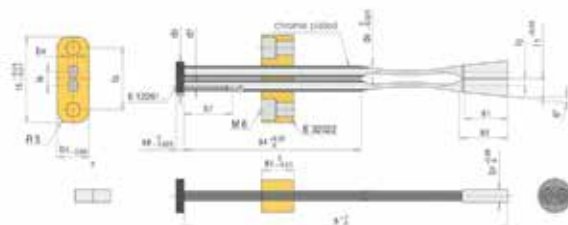
功能示意图 Functional chart

注意事项:

- 弹弓顶针支撑部件的长度必须与“H”尺寸一致。
- 调节部位的长度最少是“C”尺寸的1/3。
- 弹弓顶针伸出部位的尺寸必须等于或小于尺寸“C”
- 任何时候, 固定弹弓顶针的固定板的厚度不得低于15MM。



SE3202



材料	硬度
1.8159	45 ± 3HRC
SKD61	50 ± 2HRC

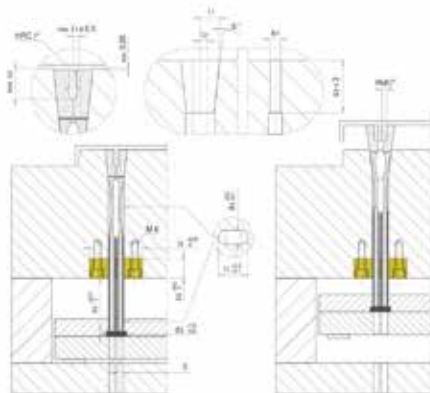
t max. = 120°C

Type	l8	d8	s8	l7	d7	s7	l6	b5	l5	s5	d4	b4	s4	s3	s2	l2	s1	max. Hub	b1	l1	s
SE3202/6/9.0/162	32.3	20		13	M4		7		45		5.94	4.83	88	24.3	12.5	3.5	22	3.5	6.2	9.0	162
SE3202/12/11.5/200			6							20							26		12.2	11.5	
SE3202/14/12.5/200	34.3	22		17	M5	19	9	16	48		7.92	7.37	111	30.0	16.5	4.5	30	4.5	14.2	12.5	200
SE3202/16/12.5/200																			16.2		

产品特点 Precautions

- 结构最简单的倒钩脱模机构，相对斜顶顶座，安装空间更小。
- 安装方便，简化加工工序，节约成本。
- 此款产品配有垫块、钢套以及安装螺丝。
- 两支配合使用，可实现双面或者多面倒钩脱模。
- Simple structure, small installation space, only same as ejector pin size.
- Easy to install, simplify processing procedure and save cost.
- Each code of the sprung core have pad and installed screw.
- Two pieces use together can come true double face or more faces barb release mould.

功能示意图 Functional chart



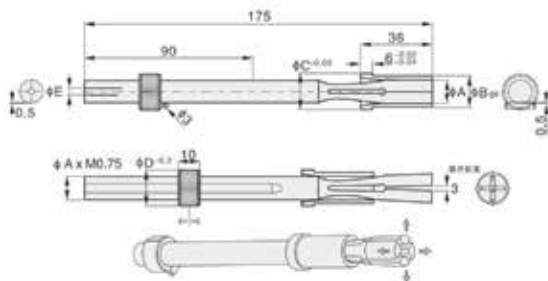
HRC * Subsequent coating at max. temp. 120° C

Hub * The stroke is reduced by 6° on the inner side

弹弓顶针

SPRUNG CORE

SEE



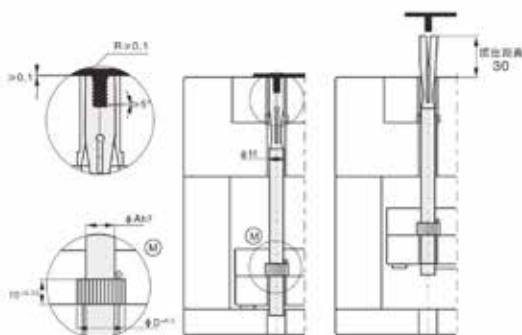
材质	硬度
1.8159	45±3HRC

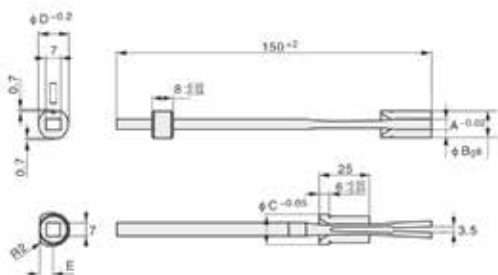
Type	φA	φB	φC	φD	φE	φH
SEE.060175	6	10	12	12	-	9
SEE.082175	8	12	14	14	2	11
SEE.103175	10	14	16	16	3	13
SEE.124175	12	16	18	18	4	15
SEE.168175	16	20	22	22	8	19

产品特点 Precautions

- 整合四瓣自动弹开机构于一体，可调节式设计，安装简单。
- 可轻易做出多面塑胶制件，垂直顶出，保证塑胶件倒钩成型更精确。
- 自带套筒，定位更精确。
- 自带可调节固定环，稳定可靠。
- 安装与分体面成90度，加工简单，简化工序。
- Integrated four-lobe automatic pop-up mechanism, adjustable design, simple installation.
- It can easily make multi-sided plastic barb parts, vertical ejection, to ensure more accurate shaping of plastic barb parts.
- With sleeve, more accurate positioning.
- With adjustable fixed ring, stable and reliable.
- Installation and split surface into 90 degrees, simple processing, simplified process.

功能示意图 Functional chart



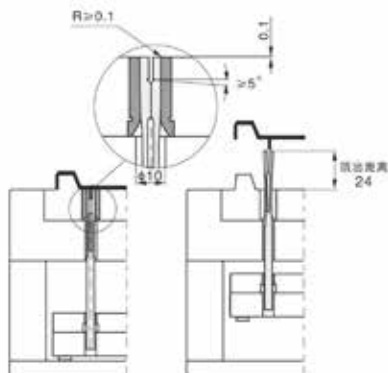
SMD


材料	硬度
1.8159	45±3HRC

Type	A	φB	φC	φD	E
SMD.047150	4	10	12	12	5
SMD.057150	5				
SMD.067150	6	12	14	14	6
SMD.077150	7				

产品特点 Precautions

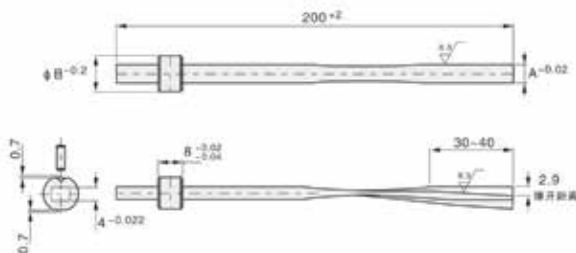
- 应用于底部释放较小的弹性，顶出高度能预先调节，产品容易安装，安装与分型面成90度。
- Apply to release elasticity from bottom, the ejector device can adjust to required eject height in advance, easy to install, and keep 90° with the divided surface when install it.

功能示意图 Functional chart


弹弓顶针

SPRUNG CORE

SPF



材料	硬度
1.8159	45±3HRC
SKD61	50±2HRC

由于接触面与顶出板平行，因而从底部释放弹性的最小区域的厚度仅为4mm。另此产品的一个新的特点是：先顶出然后从底部释放弹性。

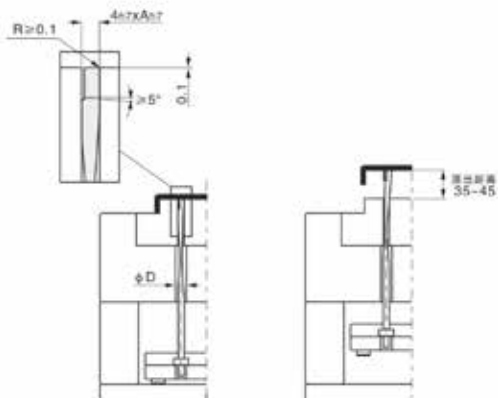
Because the contact surface is parallel with ejector plate, the thickness of release elasticity from bottom's smallest area is just 4mm, and a new characteristic of this product: first eject then elasticity from the bottom.

Type	A	B	D
SPF.064200	6	12	7.5
SPF.084200	8	14	9.5
SPF.104200	10	16	11
SPF.124200	12	18	13

产品特点 Precautions

- 结构简单，安装空间更小，如同一顶针大小。
- 安装方便，简化加工工序，节约成本。
- 可以单独使用，也可以两支配合使用。
- Simple structure, small installation space, only same as ejector pin size.
- easy to install, simplify processing procedure and save cost.
- Can use it lonely or two pcs use together.

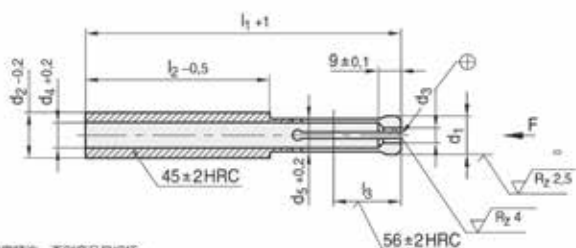
功能示意图 Functional chart



复位机构

ROUND LATCH LOCKS

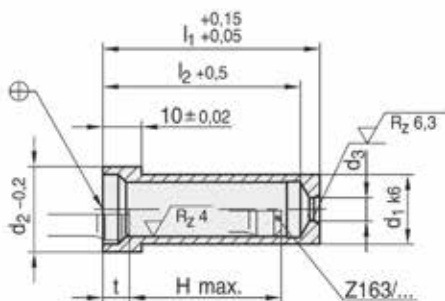
SZ163



用于顶针板早期装置也可作为二次顶出使用，安装需精准，否则产品易损坏。
It is used for return device of trimble board. Besides, it can also be used for second ejection.
The installation shall be accurate. Otherwise, the product is likely to be damaged.

Type	max.F [N]	l_1	l_2	d_1	d_2	d_3	d_4	d_5	l_1
SZ1636 × 125	12000	20	73	16	18	10	13	6	125
SZ16310 × 160	20000	25	100	20	24	12.5	17	10	160

SZ164



Type	max.H	t	l_1	d_1	d_2	d_3	l_1
SZ1646 × 36	24	6.7	31	22	18	6	36
SZ1646 × 46	34		41				46
SZ1646 × 56	44		51				56
SZ16410 × 36	23	6.7	30	29	24	10	36
SZ16410 × 46	33		40				46
SZ16410 × 56	43		50				56
SZ16410 × 76	63		70				76

