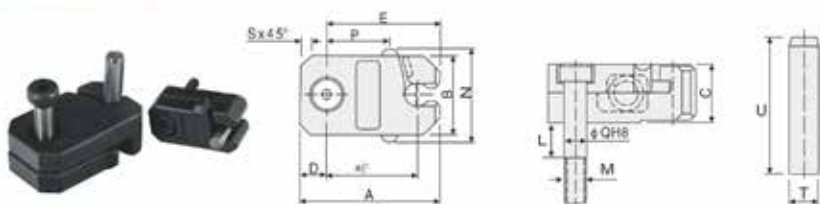


SLIDE RETAINER
SERIES ▶▶▶
限位夹系列



SPSL/SPSM


M 材质

H 硬度

合金钢 S620steel

HRC 58-62

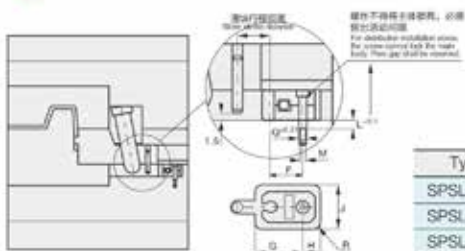
Type	尺寸 Size														荷重 Loading weight
	A	B	C	D	E	*F	N	H	Q	S	T	U	L	M	Kgf
SPSL 0001	1.50	0.76	0.63	0.27	1.23	0.980	0.94	0.61	0.250	0.14	0.250	1.25	0.31	#10-24	10
SPSL 0002	2.13	1.26	0.79	0.44	1.69	1.375	1.44	0.88	0.312	0.25	0.312	1.50	0.43	1/4-20	20
SPSL 0003	3.38	1.76	1.18	0.75	2.63	2.125	1.94	1.57	0.375	0.38	0.375	2.25	0.58	5/16-18	40

Type	尺寸 Size													荷重 Loading weight	限位螺丝 Limit screw
	A	B	C	D	E	*F	P	Q	M	T	U	L	S	Kgf	
SPSM 0001	38	19	16	7	31.5	24.89	15.5	6	M5	6	32	9	3.5	10	PM 5X20
SPSM 0002	54	32	20	11	43.0	34.93	22.5	8	M6	8	40	11	6.35	20	PM 6X25
SPSM 0003	86	45	30	19	67.0	53.98	40.0	10	M8	10	60	17	9.65	40	PM 8X40

产品特点 Precautions

- 简单经济，坚固耐用。能使用单个或多个限位夹，以达到更大的荷重。
- It is simple and economic, sturdy and durable. Single or multiple position limiting clips can be used so as to reach greater load.

EX Example

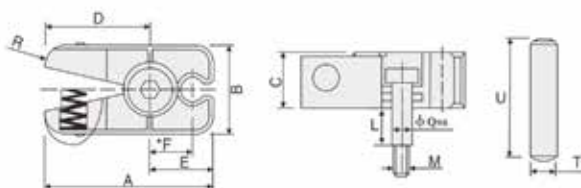


Type	G	H	J	R	Q	L	L
SPSL 0001	1.35	0.39	1.00	0.31	0.249	#10-24	0.310
SPSL 0002	1.81	0.56	1.50	0.37	0.312	1/4-20	0.430
SPSL 0003	2.75	0.88	2.00	0.50	0.374	5/16-18	0.580

限位夹

SLIDE RETAINER

SMRT



材质	硬度
合金钢 8620steel	HRC 58-62

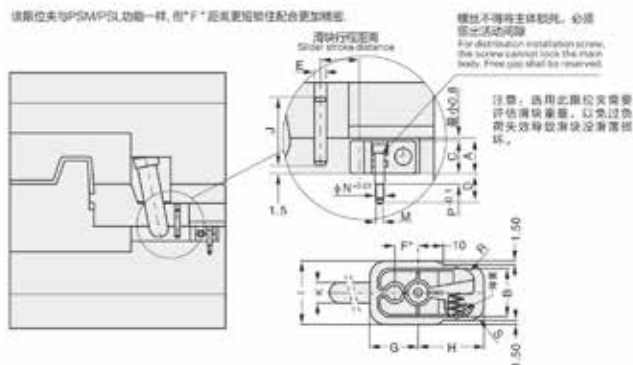
Type	尺寸 Size													荷重 Loading weight Kgf	限位螺丝 Limit screw
	A	B	C	D	E	*F	Q	R	M	N	T	L	U		
	SMRT10M	38	19	16	22	16	9.15	6	5	M5	6	6	6	30	10
SMRT20M	54	32	20	33	21	12.7	8	6	M6	8	8	8	40	20	PM 6X20
SMRT40M	86	45	30	53	33	20.3	10	10	M8	10	10	10	60	40	PM 8X30

产品特点 Precautions

- 该限位夹与PSL功能一样，但“F”距离更短，锁住的配合更加精密。
- This position limiting clip has the same function as that of PSL. However, "F" has shorter distance and locked coordination is more precise.

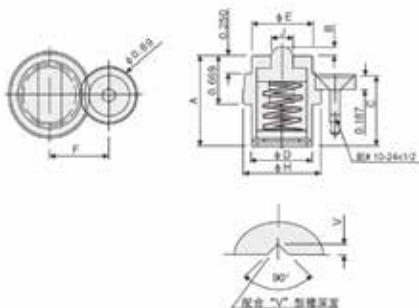
EX Example

该限位夹与PSMPSL功能一样，但“F”距离更短锁住配合更加精密。



Type	I	K	G	H	B	S	R	*F	E	J	C	A	P	D	N	M
SMRT10M	25	8	19	26	19	6	5	9.15	6	30	16	17	6	15.5	6	M5
SMRT20M	38	10	24	36	32	8	6	12.7	8	40	20	21	8.1	20.5	8	M6
SMRT40M	51	12	36	56	45	11	10	20.3	10	60	30	31	10	25	10	M8

SPSR



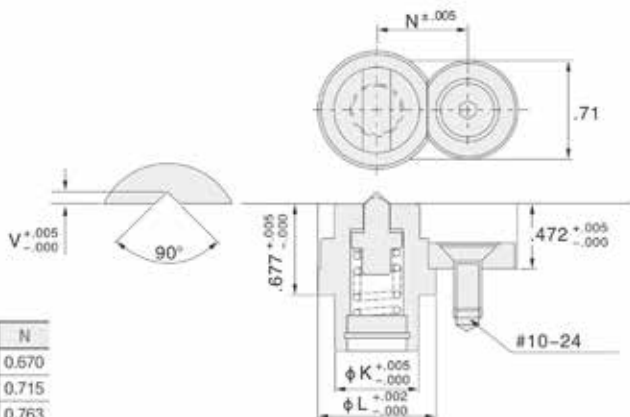
M 材质	H 硬度
H-13steel	HRC 48-52

Type	尺寸 Size									荷重 Loading weight
	A	B	C	CD	CE	F	CH	J	V	Kgf
SPSR1000	1.08	0.072	0.795	0.620	0.630	0.375	0.866	0.188	0.091	4.5
SPSR2000	1.32	0.121	1.035	0.740	0.748	0.420	0.984	0.250	0.153	9
SPSR4000	1.26	0.149	0.975	0.870	0.866	0.468	1.102	0.312	0.194	18

产品特点 Precautions

- 独立的设计、一体化的装置、安装简单。外形虽小，但是具有一定的荷重。
- It has independent design and integrated device. Installation is simple. Although appearance is small, it has certain load.

EX Example

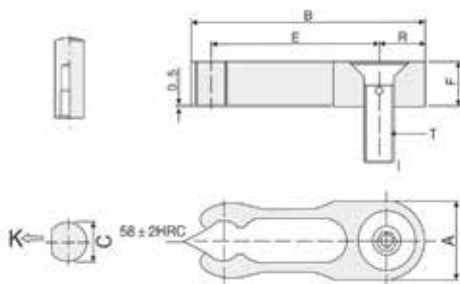


Type	φK	φL	V	N
SPSR1000	0.625	0.869	0.091	0.570
SPSR2000	0.750	0.987	0.153	0.715
SPSR4000	0.875	1.105	0.194	0.763

限位夹

SLIDE RETAINER

SRC



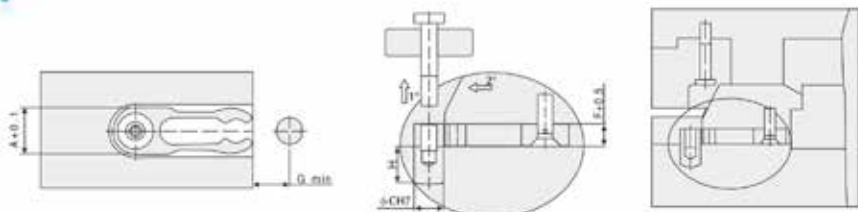
材料	硬度
1,8159	HRC 45±3

Type	尺寸 Size									荷重 Loading weight
	A	B	C	E	F	G	H	R	J	K(kgf)
SRC.123006	12	30	6X20	21	5	4	16	6	M5X16	5
SRC.164008	16	40	8X20	28	6	5	15	8	M6X25	7
SRC.205010	20	50	10X24	34	8	6	17	10	M8X30	14
SRC.246012	24	60	12X32	42	10	7	23	12	M10X40	21
SRC.328012	32	80	16X40	56	12	9	27	16	M12X50	28
SRC.328016					16		25			38

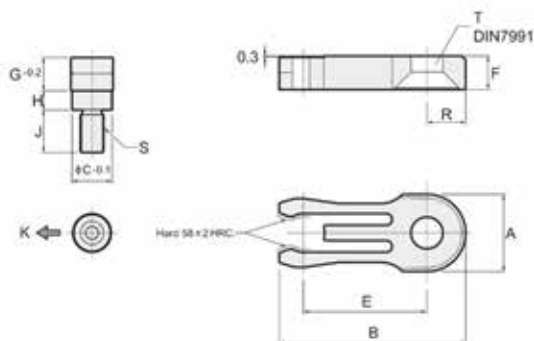
产品特点 Precautions:

- 非常简单实用，只需要很小的空间就可以安装固定。
- It is very simple and practical, and can be fixed in a very small space.

EX Example



SRCM


材料

1.8159

硬度

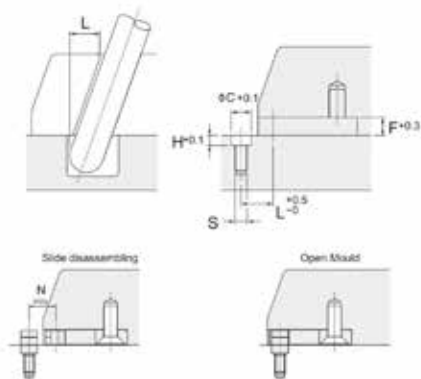
HRCF 45±3

Type	A	B	C	E	F	G	H	J	K	N	R	S	T
SRCM.163808	16	38	8	25	7.7	7.6	4	10	10kg	7	8	M5	M6
SRCM.204810	20	48	10	32	8.7	8.6	5	11	14kg	8	10	M6	M8
SRCM.245712	24	57	12	37.5	9.7	9.6	6	12	18kg	9	12	M8	M10

产品特点 Precautions

- 在SRC基础上改良型。
- It is an improved type on the basis of SRC.

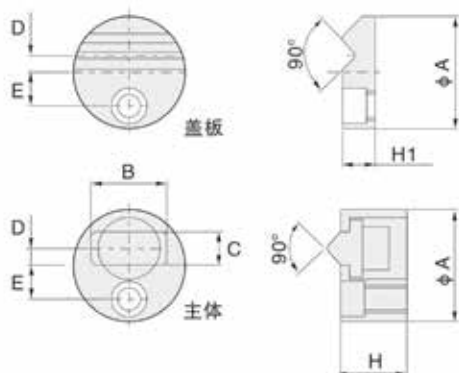
EX Example



限位夹

SLIDE RETAINER

SSLK8A



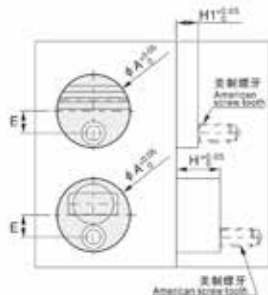
材料	硬度
SKH51	HRC 58

Type	A	B	C	D	E	H	H1	安装螺丝 Mounting screws	荷重 (kgf) Max. holding weight
SSLK8A	± 0.001 0.498	0.34	0.15	0.075	0.15	± 0.002 0.295	± 0.002 0.145	#2-56x3/8(主体) #2-56x1/4(盖板)	3.6
	12.65	8.61	3.81	1.91	3.81	7.49	3.68		

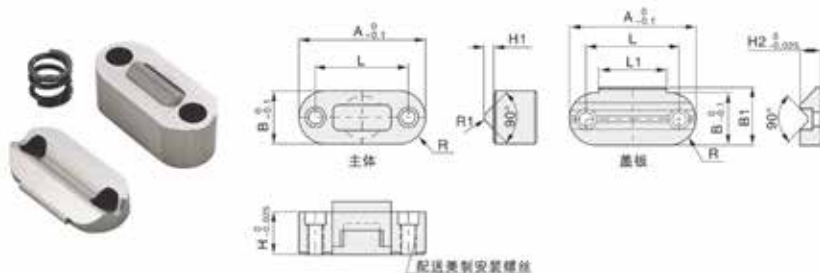
产品特点 Precautions

- 限位夹的设计，能有效的预防模座滑块逐渐松动的问题，此款限位夹外形小巧，合理的利用了有限的空间。
- Design of position limiting clip can effectively prevent slider die holder from gradually loosening.
Appearance of this type of position limiting clip is small and exquisite and it applies limited space reasonably.

EX Example



SSLK25A/50A



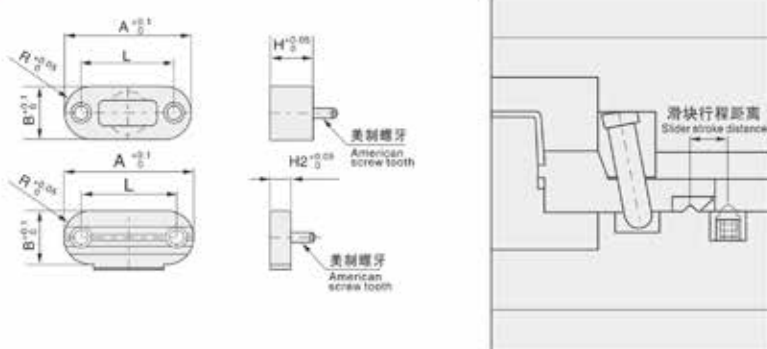
材料	硬度
SKH51	HRC 58

Type	A	B	H	H1	H2	L	L1	R	R1	B1	安装螺丝 Mounting screws	荷重 (kgf) Max. holding weight
SSLK25A	1.494	620	0.499	0.117	0.249	1.1	0.80	0.312	0.062	0.68	#6-32x1/2 #6-32x1/4	11.25
	37.95	15.75	12.67	2.97	6.32	27.94	20.32	7.92	1.57	17.27		
SSLK50A	2.292	0.996	0.86	0.171	0.385	1.65	1.10	0.498	0.098	1.058	1/4-20x1" 1/4-20x3/8	22.5
	58.22	25.30	21.84	4.34	9.78	41.91	20.32	12.65	2.49	26.87		

产品特点 Precautions

- 容易安装进入模座滑块中，巧妙的隐藏在限位装置中。
- It is easy to install it into slider of mold base, cleverly hidden in the caging device.

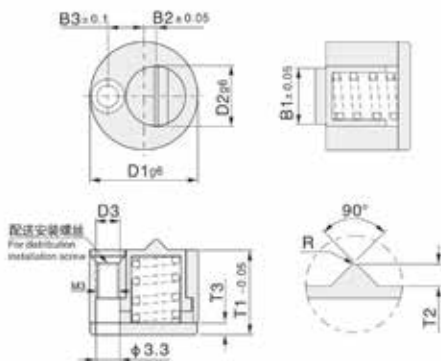
EX Example



限位夹

SLIDE RETAINER

SZ5130



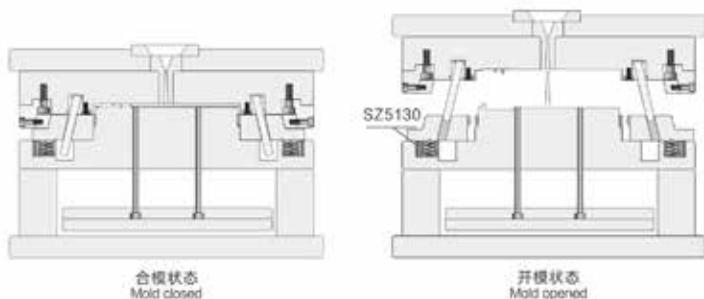
M 材质	H 硬度
1.2343	HRC 48-53

Type	D1	D2	B1	B2	B3	T1	T2	T3	R	D3	安装螺丝 Mounting screws	荷重 (kgf) Max. holding weight
SZ5130	13	7	6.6	1.4	4.3	10	1.0	1.6	0.35	M3	M2 x 16	3.4
	18	10	9.6	2.0	6.0	14	1.8	2.0	0.50	M4	M3 x 20	4.2
	27	15	14.4	3.0	9.0	21	2.8	3.0	0.50	M5	M4 x 25	9.2

产品特点 Precautions

- SZ5130定位珠外形设计小巧，占用安装空间小；
- SZ5130定位珠是定位珠系列中安装最为方便的产品之一；
- 此款精密版定位珠采用机械精密加工而成，定位更精准。
- SZ5130 Slide holding devices with outside small shape and occupy the small space.
- SZ5130 Slide holding devices is the best convenient installment of the slide retainer series.
- SZ5130 Slide holding devices adopts precision machining to make location more accurate.

EX Example



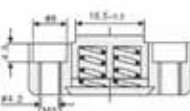
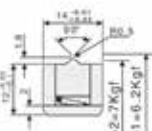
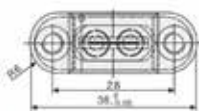
合模状态
Mold closed

开模状态
Mold opened

限位夹

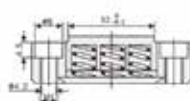
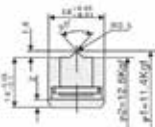
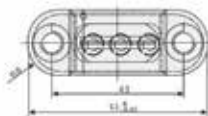
SLIDE RETAINER

SZ5140/0



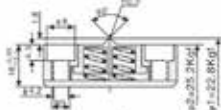
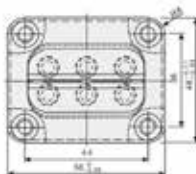
M 材质	H 硬度
1.2343	HRC 48-53

SZ5140/1



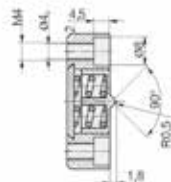
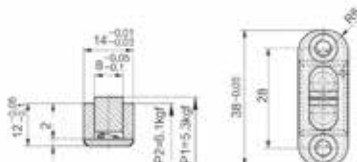
M 材质	H 硬度
1.2343	HRC 48-53

SZ5140/2



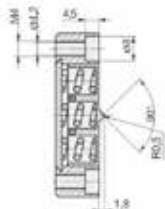
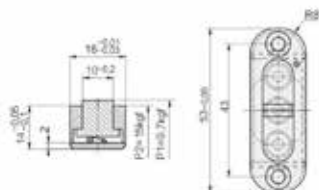
M 材质	H 硬度
1.2343	HRC 48-53

SZ5140/3



M 材质	H 硬度
1.2343	HRC 48-53

SZ5140/4

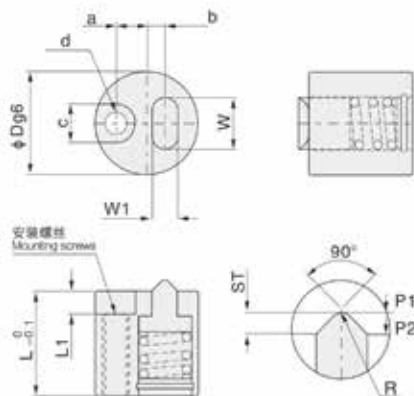


M 材质	H 硬度
1.2343	HRC 48-53

限位夹

SLIDE RETAINER

SSLLK



M 材质	H 硬度
1.2343	HRC 48-52

Type	D	P 弹簧 Spring	ST	L	L1	a	b	c	d	W	W1	R	N	安装螺丝 Mounting screws	荷重 (kgf) Max. holding weight
SSLLK	16	C(SWC8-15)	1.6	15	3.3	5	2.5	6	3.2	8	4	1	M4	M3x20	28.6
	16	F(SWF8-15)													78.8
	20	F(SWF10-15)	2.0	20	4.5	6	3.5	7.5	4.3	10	5	1.1	M5	M4x25	62.9
	20	L(SWF10-15)													110.0

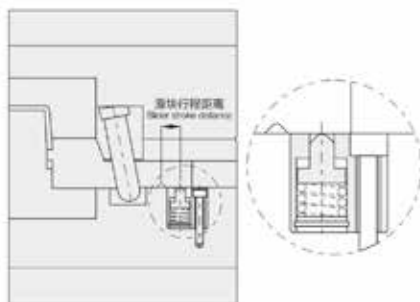
产品特点 Precautions

- 采用面接触，降低了接触面的单位压强，可有效防止侧抽芯滑块损伤，可适用于较重部件的锁紧。
- It adopts surface contact which reduces unit pressure of contact surface so that it can effectively prevent damage of side core-pulling slider. It applies to locking of much heavier component.

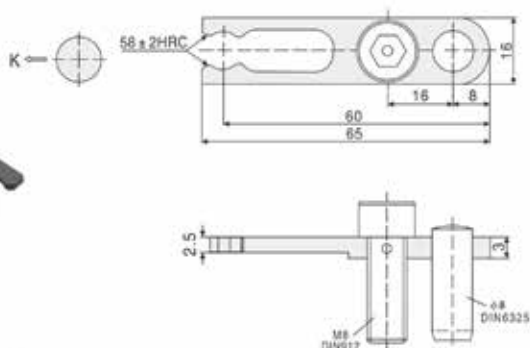
EX Exaple

注意事项：锁紧负载过大，可能会使斜导柱和束块承受过多负载，导致烧结现象，建议减少滑动阻力、润滑、加强刚性。

Precautions: Locking load is too big, so it may make slanted guide pillar and bundle block bear too much load leading to sintering phenomenon. It is advised to reduce sliding resistance, implement lubrication and strengthen rigidity.



SRRM



注意

下表中的荷重值是通过安装一、二、三或更多的夹子而得来的，它是一组近似值，仅供参考。

Note: The load data are, from installed clamps, they are approximation, just for reference.

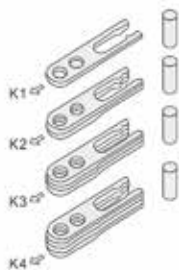
材质	硬度
1.8159	HRC 45 ± 3

Type	荷重 Loading weight (Kgf)			
	K1	K2	K3	K4
SRRM.651608	7.5	15	22.5	30

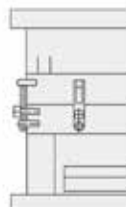
产品特点 Precautions

- 标准限位夹，对延迟模具的分开和闭合是非常有用的，它能够通过增加夹子的数量来增大限位夹的荷重。
- The standard limiting location chip is very useful to delay the dividing and closing of mold, and it can increase the load of limiting location chip by increasing the number of chips.

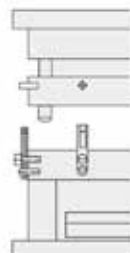
EX Example



合模状态
Mold closed



第一次开模
The first time open mold

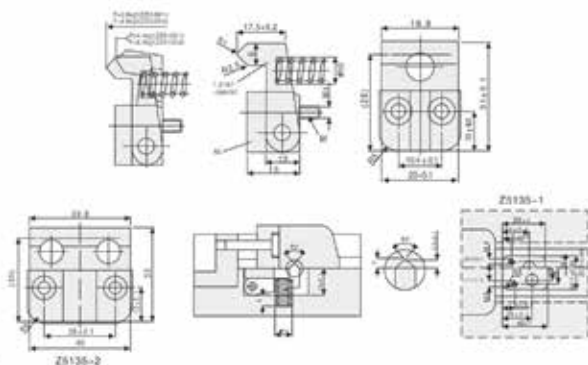


第二次开模
The second time open mold

限位夹

SLIDE RETAINER

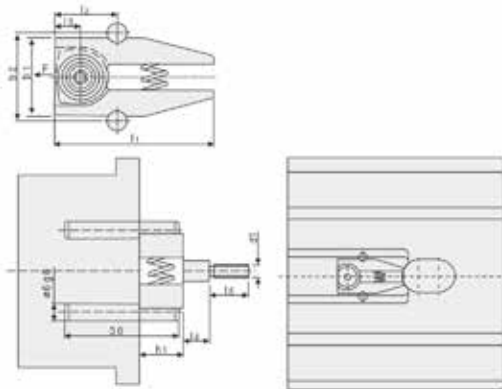
SZ5135



材料	硬度
1.2162	HRC 58-60

Type	M螺丝 Screw	荷重 Loading weight (kgf)
SZ5135-1	4	2.0-4.4
SZ5135-2	5	4.0-8.8

SZ189



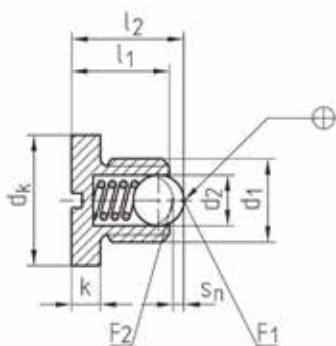
材料	硬度
1.7131	HRC 54+2

Type	尺寸 Size									荷重 Loading weight (kgf)
	h1	l1	l2	l3	l4	l5	d1	b1	b2	
SZ189/10	10	40	17.5	7	5.1	9.5	M5	18	21.5	10
SZ189/12	12	43	18	7.5	6.1	11	M6	22	25.5	15
SZ189/16	16	50	20.5	9.5	3.1			28	31.5	25

定位珠

BALL PLUNGERS

SZ36

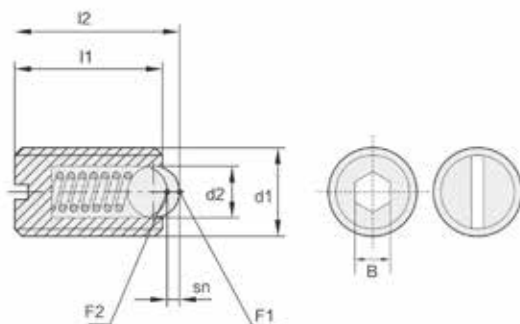


材質

1.0718

Type	max. °C	d2	dk	K	Sn	F1 [N]	F2 [N]	l2	d1	l1
SZ36/4 x 9	250	2.5	6	2.5	0.64	6	11.6	9.8	M4	9
SZ36/5 x 12		3	8	3.5	0.72	8.8	13.3	12.9	M5	12
SZ36/6 x 14		3.5	10	5	0.8	11.2	15.1	15	M6	14
SZ36/8 x 16		5	13	5	1.2	18.5	29.5	17.5	M8	16
SZ36/10 x 20		6	16	6	1.6	23.9	43	22	M10	20
SZ36/12 x 22		8	18	7	2	35.9	59.8	24.5	M12	22

SZ37



材質

SUS304

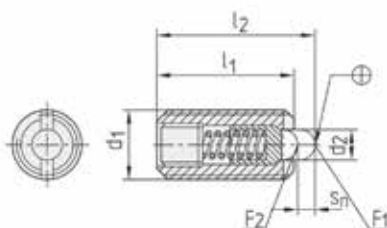
S45C

Type	max. °C	d2	sn	F1 [N]	F2 [N]	l2	d1	l1
SZ37 / 4 x 9	250	2.5	0.64	6	11.6	9.8	M4	9
SZ37 / 5 x 12		3	0.72	8.8	13.3	12.9	M5	12
SZ37 / 6 x 14		3.5	0.8	11.2	15.1	15	M6	14
SZ37 / 8 x 16		5	1.2	18.5	29.5	17.5	M8	16
SZ37 / 10 x 19		6	1.6	23.9	43	21	M10	19
SZ37 / 12 x 22		8	2	35.9	59.8	24.5	M12	22
SZ37 / 16 x 24		10	2.4	74	101.6	27.5	M16	24

定位珠

BALL PLUNGERS

SZ372

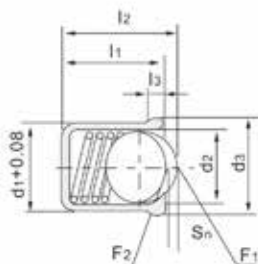


材料

1.0718

Type	max. °C	d2	Sn	F1 [N]	F2 [N]	l2	d1	l1
SZ372/3 x 12	250	1.0	0.8	1.7	2.8	13.0	M3	12
SZ372/4 x 15		1.5	1.2	5.0	12.0	16.5	M4	15
SZ372/5 x 18		2.4	1.8	7.0	16.0	20.3	M5	18
SZ372/6 x 20		2.7	2.0			22.5	M6	20
SZ372/8 x 22		3.5	2.4	9.0	28.0	25.0	M8	22
SZ372/10 x 22		4.0					M10	22
SZ372/12 x 28		6.0	3.2	15.0	44.0	32.0	M12	28
SZ372/16 x 32		7.5	4.0	45.0	80.0	37.0	M16	32
SZ372/20 x 40		10.0	5.6	70.0	112.0	47.0	M20	40
SZ372/24 x 52		12.0	8.0	80.0	144.0	62.0	M24	52

SZ374

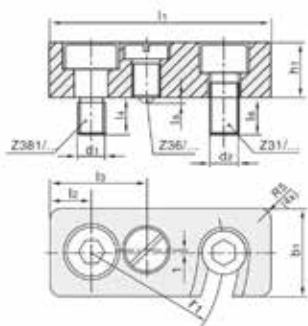


材料

1.4305

Type	max. °C	d3	l3	d2	Sn	F1 [N]	F2 [N]	l2	d1	l1
SZ374/ 4x5	250	4.6	1	3	0.7	2	4	5.9	4	5
SZ374/ 5x6		5.6		4	0.8	4	5.6	7	5	6
SZ374/ 6x7		6.5		5	1.2	6	9.6	8.5	6	7
SZ374/ 8x9		8.5		6.5	1.4			10.8	8	9

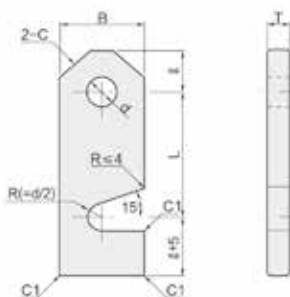
SZ73



材料
S45C

Type	Z381/...	Z31/...	Z36/...	d1	d2	r1	l2	l3	l4	l5	l6	h1	b1	l1
SZ73 / 12x20x50	Z381 / 6x6	Z31 / 6x14	Z36 / 5x12	M6	M6	30	10	24	9	0.9	8	12	20	50
SZ73 / 16x25x63	Z381 / 8x10	Z31 / 8x18	Z36 / 8x16	M8	M8	38	13	30	11	1.5	11	16	25	63
SZ73 / 20x32x80	Z381 / 10x12	Z31 / 10x22	Z36 / 10x20	M10	M10	48	15	35	13	2	13	20	32	80

SOPP



材料
S45C

Type	B	L	Color 安全色	T	d	ℓ	C
SOPP	25	30	R (红) Y (黄) N (发蓝)	12	9	10	10
		40					
		50					
		60					
		70					
	38	80			14	15	15
		50					
		60					
		70					
		80					
	50	90		20	22	25	15
		100					
		60					
		90					
		120					